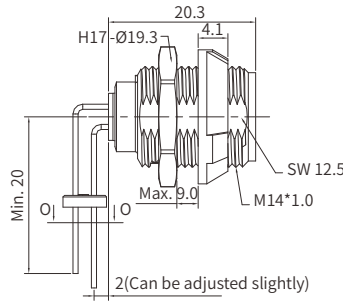


■ 1P Series, PKG Fixed Socket, Key(G), With Two Nuts, With 90° Elbow Contact For Printed Circuit

- Connector series: 1P
 - Connector gender: Female
 - Key: G(More keys, refer to page 149)
 - Locking type: Self-locking
 - Orientation type: 90° elbow
 - Part No.: PKG.1P.3XX.GLVG
 - Mated with: PPG series
- Note: "X" refers to part number definition on page 135



■ General Information

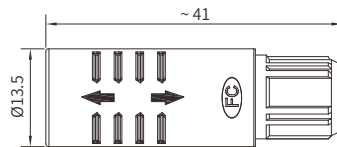
Ambient temperature:	-50 °C ~ + 150 °C
Endurance:	>1000 cycles
Insulator:	PEEK
Fixing nut:	PSU & Brass with nickel plated

Outershell:	PSU
Connector contacts:	Bronze with gold plated
Insulator resistance:	≥100MΩ
IP rating:	IP50

Notes: 1.for panel cut-out see page 164; 2.for PCB drilling pattern see page 167

■ 1P Series, PDG Free Socket, Key(G)

- Connector series: 1P
 - Connector gender: Female
 - Key: G(More keys, refer to page 149)
 - Locking type: Self-locking
 - Orientation type: Straight
 - Part No.: PDG.1P.3XX.GLLCXXG
 - Mated with: PPG series
- Note: "X" refers to part number definition on page 135



■ General Information

Ambient temperature:	-50 °C ~ + 150 °C
Endurance:	>1000 cycles
Insulator:	PEEK
Backnut:	PSU

Outershell:	PSU
Connector contacts:	Bronze with gold plated
Insulator resistance:	≥100MΩ
IP rating:	IP 50